

# CNN EFSNK C

## CINNAMON Tap Range Cinnamon Easyfit Monobloc Sink Mixer Chrome



### Specification

<b>Product Type:</b>	Kitchen Taps
<b>Main Construction Material:</b>	Brass
<b>Mount Type:</b>	Deck
<b>Handle Type:</b>	Lever
<b>Connection Inlet:</b>	1/2" BSP Flexible Tails
<b>Connection Outlet:</b>	Anti-splash
<b>Number of Tap Holes:</b>	1
<b>Valve/Cartridge Type:</b>	35mm Cartridge
<b>Plumbing System Requirements:</b>	Suitable for all plumbing systems, ideally balanced
<b>Minimum Dynamic Pressure (bar):</b>	0.3 bar
<b>Maximum Dynamic Pressure (bar):</b>	5.0 bar
<b>Maximum Hot Water Temperature °C:</b>	60°C
<b>Maximum Static Pressure (bar):</b>	10 bar
<b>Flow Type:</b>	Single
<b>Isolation Included:</b>	Yes

### Features:

- Long life ceramic cartridge for added durability and ease of use
- Metal fixing nut for added durability
- Easyfit base included
- Flexible tails included

### Product Certifications:



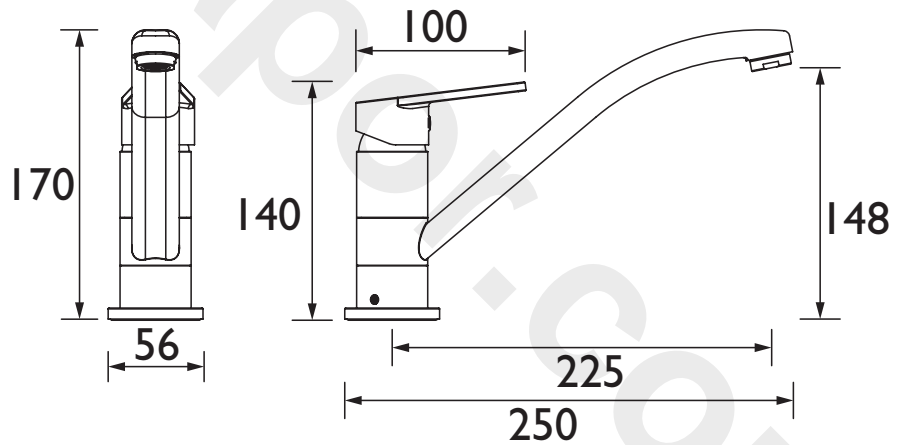
WRAS Certificate No: 910904  
WRAS Expiry Date: 31/10/2024



For more products, visit our website:  
<http://www.bristan.com>



### Dimensions (measurements in mm)



### Flow Rates (l/min)

System Pressure (bar)	0.3	0.5	1	2	3	5
CNN EFSNK C (mixed)	6.1	7.8	11.1	15.7	19.2	24.8

## TECHNICAL DATA SHEET



# BRISTAN

D10